

3Quadrants/4 Quadrants TRIAC

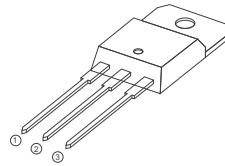
FEATURES

- > IT(RMS): 16A
- > VGT: $\leq 1.5V$
- > VDRM VRRM: 800V and 1000V

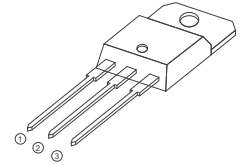
APPLICATIONS

Washing machine, vacuums, massager, solid state relay,

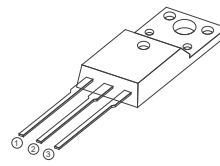
AC Motor speed regulation and so on.



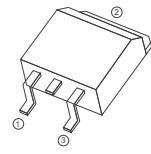
TO-220A Insulated



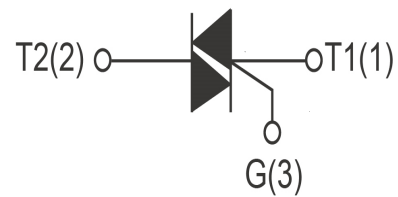
TO-220B Non-Insulated



TO-220F Insulated



TO-263



Absolute Maximum Ratings (Tj=25°C unless otherwise specified)

Symbol	Parameter	Conditions	Ratings	Unit
VDRM VRRM	Repetitive Peak Off-State Voltage	BTA16/BTB16-600	800	V
		BTA16/BTB16-800	1000	V
IT(RMS)	R.M.S On-State Current	Tc=110°C	16	A
ITSM	Surge On-State Current	tp=16.7ms/tp=10ms	170/180	A
I ² t	I ² t for fusing	Tp=10ms	116	A ² s
PG(AV)	Average Gate Power Dissipation	Tj=125°C	1	W
IGM	Peak Gate Current	tp=20us Tj=125°C	4	A
Tj	Operating Junction Temperature		~40~125	°C
TSTG	Storage Temperature		~40~150	°C

Electrical Characteristics (T_j=25°C unless otherwise specified)

Symbol	Parameter	Test Conditions	Value					Unit
			SW	CW	BW	C	B	
IDRM	Repetitive Peak Off-State Current	T _j =25°C	≤5					uA
		T _c =125°C	≤1					mA
IRRM	Repetitive Peak Reverse Current	T _c =25°C	≤5					uA
		T _c =125°C	≤1					mA
VTM	Forward "on" voltage	I _T =23A, t _p =380us	1.5					V
VGT	Gate trigger voltage	V _D =12V, R _L =30Ω	≤1.5					V
di/dt	Critical rate of rise of on-state current	I, II, III F=100Hz, I _G =2xI _{GT} , t _r ≤100ns	≥50					A/us
		IV	≥10					A/us
IGT	Gate trigger current	I, II, III V _D =12V, R _L =30Ω	≤10	≤25	≤50	≤25	≤50	mA
			/	/	/	≤50	≤100	mA
IH	Holding current	I _T =0.2A	≤25	≤35	≤50	≤25	≤50	mA
VGD	Gate non-trigger voltage	V _D =V _{DRM} , T _J =125°C, R _L =3.3K	≥0.2					V
dv/dt	Critical-rate of rise of commutation voltage	T _J =125°C, V _D =2/3V _{DRM} , Gate	≥100	≥400	≥1000	≥200	≥400	V/us

FIG1

Maximum power dissipation versus RMS on-state current

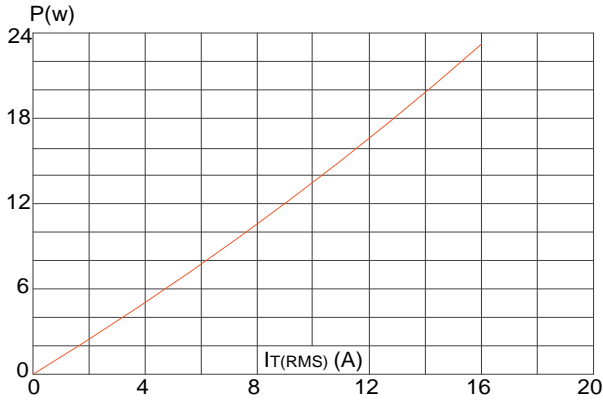


FIG2

RMS on-state current versus case temperature

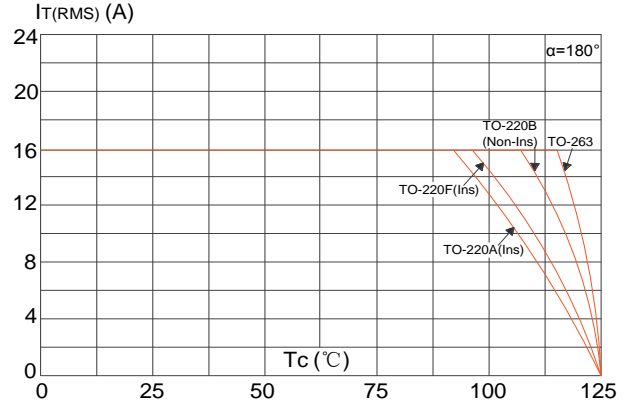


FIG3

Surge peak on-state current versus number of cycles

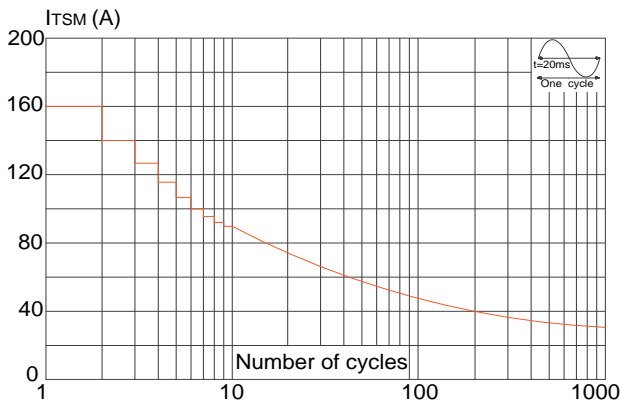


FIG4

On-state characteristics (maximum values)

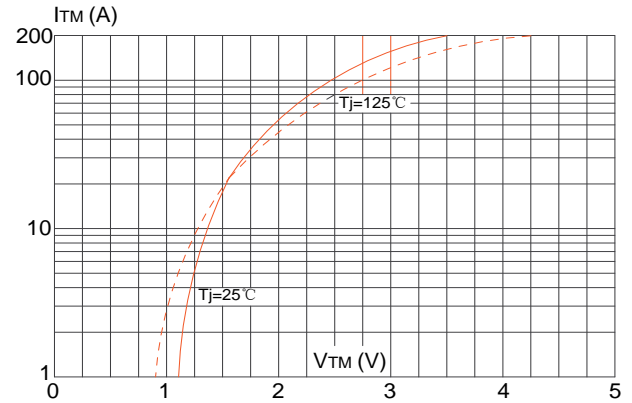


FIG5

Non-repetitive surge peak on-state current for a sinusoidal pulse with width $t_p < 20\text{ms}$, and corresponding value of I^2t ($di/dt < 100\text{A}/\mu\text{s}$)

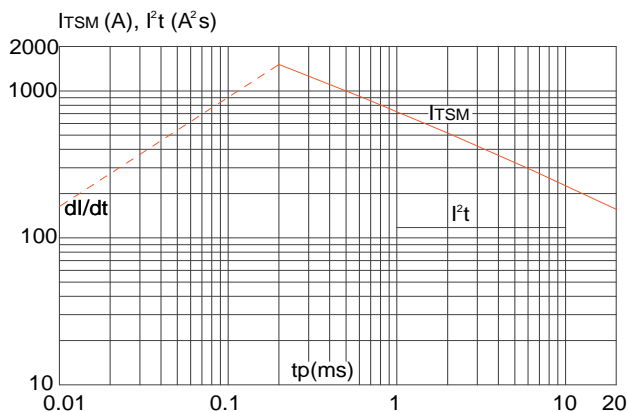
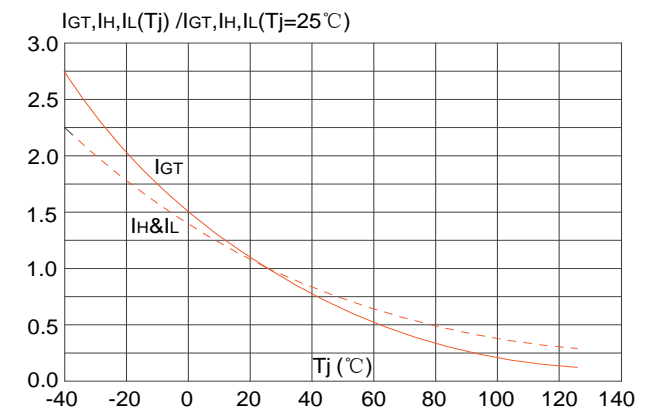
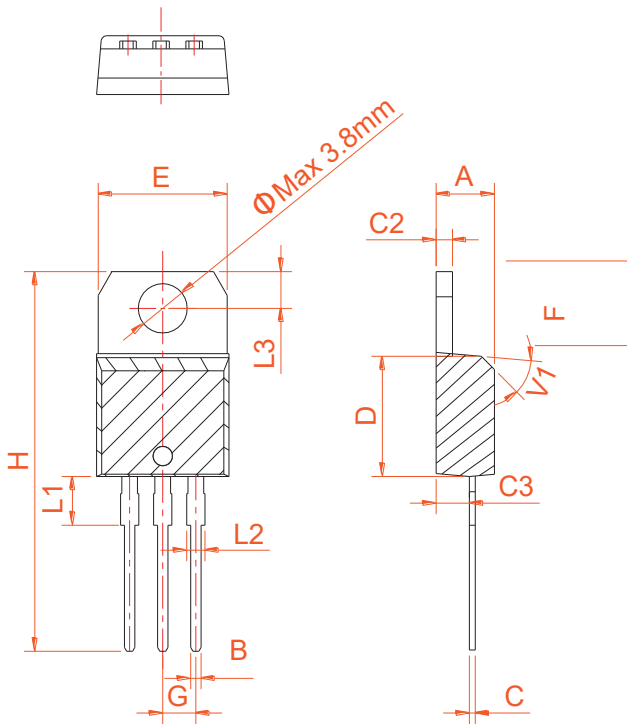


FIG6

FIG.6: Relative variations of gate trigger current, holding current and latching current versus junction temperature



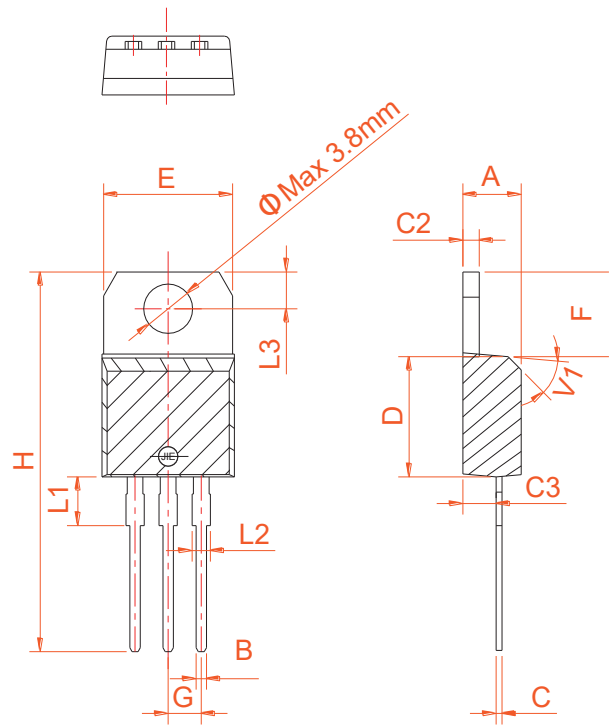
PACKAGE MECHANICAL DATA



TO-220A Ins

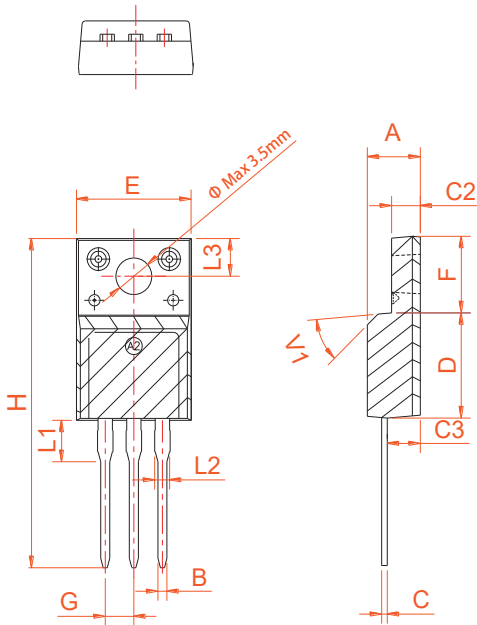
Ref.	Dimensions					
	Millimeters			Inches		
	Min.	Typ.	Max.	Min.	Typ.	Max.
A	4.40		4.60	0.173		0.181
B	0.61		0.88	0.024		0.035
C	0.46		0.70	0.018		0.028
C2	1.21		1.32	0.048		0.052
C3	2.40		2.72	0.094		0.107
D	8.60		9.70	0.339		0.382
E	9.80		10.4	0.386		0.409
F	6.55		6.95	0.258		0.274
G		2.54			0.1	
H	28.0		29.8	1.102		1.173
L1		3.75			0.148	
L2	1.14		1.70	0.045		0.067
L3	2.65		2.95	0.104		0.116
V1		45°			45°	

Ref.	Dimensions					
	Millimeters			Inches		
	Min.	Typ.	Max.	Min.	Typ.	Max.
A	4.40		4.60	0.173		0.181
B	0.61		0.88	0.024		0.035
C	0.46		0.70	0.018		0.028
C2	1.21		1.32	0.048		0.052
C3	2.40		2.72	0.094		0.107
D	8.60		9.70	0.339		0.382
E	9.60		10.4	0.378		0.409
F	6.20		6.60	0.244		0.260
G		2.54			0.1	
H	28.0		29.8	1.102		1.173
L1		3.75			0.148	
L2	1.14		1.70	0.045		0.067
L3	2.65		2.95	0.104		0.116
V1		45°			45°	



TO-220B Non-Ins

PACKAGE MECHANICAL DATA



Ref.	Dimensions					
	Millimeters			Inches		
	Min.	Typ.	Max.	Min.	Typ.	Max.
A	4.50		4.90	0.177		0.193
B	0.74	0.80	0.83	0.029	0.031	0.033
C	0.47		0.65	0.019		0.026
C2	2.45		2.75	0.096		0.108
C3	2.60		3.00	0.102		0.118
D	8.80		9.30	0.346		0.366
E	9.80		10.4	0.386		0.410
F	6.40		6.80	0.252		0.268
G		2.54			0.1	
H	28.0		29.8	1.102		1.173
L1		3.63			0.143	
L2	1.14		1.70	0.045		0.067
L3		3.30			0.130	
V1		45°			45°	

Ref.	Dimensions					
	Millimeters			Inches		
	Min.	Typ.	Max.	Min.	Typ.	Max.
A	9.90		10.20	0.390		0.402
B	14.70		15.80	0.579		0.622
C	9.4		9.6	0.37		0.378
D		2.54			0.100	
E	1.20		1.40	0.047		0.055
F	0.75		0.85	0.029		0.033
G			1.75			0.069
H	4.40		4.70	0.173		0.185
J	2.30		2.70	0.091		0.106
K	0.38		0.55	0.015		0.022
L	0	0.10	0.25	0	0.004	0.010
M	1.25		1.35	0.049		0.053

